



Part of the
Prevent+
collection

Companion Series

Spaces Re-Imagined, Safely

Product Data Sheet | Version 1.0



PPE DISPOSAL

A blue sign with white text and icons. The text "PPE DISPOSAL" is written in a bold, sans-serif font. Above the text are three icons: a pair of safety glasses, a pair of gloves, and a pair of shoes.

Busch Systems International Inc.
81 Rawson Avenue, Barrie ON., Canada
1.800.565.9931
buschsystems.com



View the Companion Series Online!



Spaces Re-Imagined, Safely

The Companion Series can be conveniently mounted to any surface allowing you to place your sanitizing products in your desired location. With multiple mounting options and two different styles available, this bracket will secure your products in a steady position making them easier and more convenient to use. Designed to fit most wipe and sanitizer dispensers, the Companion Series is the perfect addition to your cleaning program that will outlast any other option.



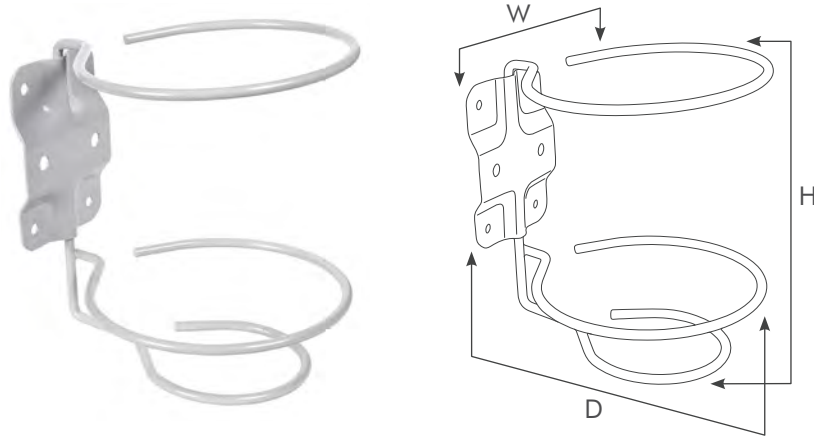
105416



107858

UNIT SPECIFICATIONS

Below are the available unit options for the Companion Series. Available with or without magnet kit, the Companion Series is designed to be the perfect fit for any space. The measurement guide is the essence of various standard measuring methods. All measurements are in inches. The Companion Series is compact and effective for adding sanitizing materials to all locations. Talk to your dedicated Busch Systems® sales representative for more information on whether the Companion Series is right for you.



Body Shape	Height	Width	Depth	Weight
Standard	5.62"H (142.75mm)	4.62"W (117.35mm)	5.25"D (133.35mm)	0.6lbs (0.272kg)

STOCK COLOR



Grey

MATERIAL & CONSTRUCTION DETAILS

Not all recycling, waste or PPE receptacles are created equal. Our company policy is never to compromise on our workmanship or the quality material standards we've set. We only recommend and use quality first grade materials on our recycling & waste containers, and source these from OEM's at highly-competitive prices. Being a manufacturer that buys at high-quantities gives significant buying power with companies which in turn saves you money.

The design process, materials used, finishes and manufacturing standards all affect the final product. Every decision is vital to getting the most value for your investment. You deserve recycling & waste containers that meets your demands for quality and durability and will enhance your working environment for years to come.

Component	Material(s)	Construction
Main Unit	Powder Coated Steel	<ul style="list-style-type: none"> • Fire-safe steel construction

ENVIRONMENTAL CONSIDERATIONS

- The Companion Series is composed primarily of natural materials local to manufacturing
- The Companion Series uses a low energy, resource efficient manufacturing and curing process
- The Companion Series components disassemble at end of life and are fully recyclable
- Low maintenance and extremely long service life
- Manufactured in North America

Configurations	Post-Industrial Recycled Content	Post-Consumer Recycled Content	Total Recycled Content	3rd Party Certifications
Companion	Contact us	Contact us	Contact us	-

Busch Systems® is dedicated to environmental responsibility. We maintain an Environmental Management System and are continually working to improve our impact through efficiency, material selection, vendor education, employee involvement, and an unwavering commitment to being a B-Corporation®. If you would like additional information on our product development process or if you don't see the information you need for your project on this page, please contact our Sustainability Team at sustainability@buschsystems.com.

LEAD TIME

Our standard lead times on the Companion Series is 2-3 weeks. Larger orders may require 6-8 weeks to complete. Please contact us to discuss your specific timing requirements.

PRICING AND ORDERING

Please contact us at **800.565.9931** or sales@buschsystems.com. At Busch Systems®, we design, manufacture and sell our products directly to you. Our sales team is available to assist you with questions about our products, requests for quotes, and orders. Vertical Managers are located across North America to assist with the front-end specification and quoting process, and our in-house Project Sales Coordinators follow your project through from the time you place an order to shipment.

TO ORDER PLEASE SPECIFY

Quantity, color & series model. Talk to your dedicated Busch Systems® sales representative for more information. If you do not have a dedicated Sales Representative please contact us via our website at buschsystems.com/contact-us/

INSTALLATION

Busch Systems® Companion Series is hassle free when it comes to installation. Four screw holes allow the unit to be hard-mounted to any surface, else the magnet kit option allows mounting to any magnetic surface. Each unit is individually boxed using high-density cardboard with high-recycled content to ensure safe and environmentally friendly transport.

If purchasing the unit to hard-mount:

1. Determine the appropriate solution to affix the unit to your surface
*The Companion Series can be mounted to wood, drywall, concrete, brick – all surfaces have different mounting requirements – ask your local hardware store what solution is right for you.
2. Using the hardware that is best for your application, use 4 screws per unit to mount the Companion Series to your surface.
3. Place 32 oz hand sanitizer bottle or wipes container into the holder.

If purchasing the unit with magnets:

1. Align the flat side of the magnets to the middle holes on the back of the unit.
2. Insert the screws through the magnet holes at the back.
3. Fasten the bolts to the screws from the other side.
4. Place the unit on desired magnetic surface.
5. Place 32 oz hand sanitizer bottle or wipes container into the holder

CARE & MAINTENANCE

Busch Systems® powder coated steel products are finished with a polyester powder coat paint that is intended to help keep your recycling and waste containers protected and attractive looking for as long as possible in their environment. Their appearance and lifespan will be greatly affected by their care. Powder coated finishes can be treated like most other paints and benefit from regular cleaning.

The frequency of cleaning required depends on the environment in which the containers are used. Outdoor containers will be subject to different environmental conditions than indoor units, i.e. sun, rain, wind, pollution, winter temperatures, and salt/sea air.

To avoid the accumulation of dirt and grime on your Busch Systems® products, and help prevent corrosion, we recommend that a mild detergent be used (not an abrasive), such as a pH-neutral liquid (hand dishwashing or hand car washing soaps, for example) diluted in warm water. Rinse well with clean water. Any dirt adhering to the powder coating should be removed. In order to remove deposits such as salt or dust, use a soft brush (non-abrasive). If this is not sufficient to remove stubborn soiling, the following products have been tested for use:

- Ajax Cream
- Liquid Gumption
- Flash (in water)
- Ajax Liquid (in water)
- Cutting Compound ('T. Cut')

If solvents are absolutely needed to remove marks, a soft cloth dampened with white spirit may be used.

THINGS TO AVOID

- Solvents such as acetone, contact cleaners, thinners or Methyl Ethyl Ketone (MEK). These solvents are very damaging to the powder coat and will soften and/or dissolve the surface of the coating, diminishing its shine and durability or removing the finish altogether.
- Cleaning water that contains sulfur, iron oxide, chlorine, fluoride
- Waxes that contain abrasives
- Abrasive cleaning tools or brushes
- Contact with electrical current and dissimilar metals

Contact Us Today for a Quote on the Companion Series!

