



BUSCH[®]
SYSTEMS



Reflection[™]

Superior Durability That Shines!

Product Data Sheet | Version 1.1

Busch Systems International Inc.
81 Rawson Avenue, Barrie ON., Canada
1.800.565.9931
buschsystems.com



View the Reflection[™] Online!

104
PARK PLACE
BOULEVARD





SUPERIOR DURABILITY THAT **SHINES!**

Durability for outdoor waste and recycling collection has never looked better! The Reflection™ is an aesthetically pleasing outdoor container perfect for any location. With its metal sloped rear-hinged lockable canopy lid, the Reflection™ endures all seasons, allowing precipitation to run off, keeping contents dry, and making servicing easy. Expand & customize your central collection station as needed with stock or custom labelling options. Create your superior recycling and waste program that will make an impact!

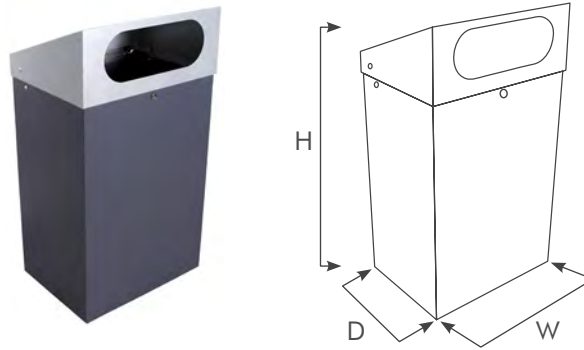
SKU'S



198835

BODY SPECIFICATIONS

Below are the available station options for the Reflection™. With this measurement guide you will ensure the Reflection™ container is the right size to fit your space. The measurement guide is the essence of various standard measuring methods. The Reflection™ is an all metal container available in a Single configuration. Talk to your dedicated Busch Systems® sales representative for more information on how to choose the right size container for your space.



Body Shape	Height	Width	Depth	Weight	Capacity
Standard	39.375"H (1000.125 mm)	21.75"D (552.45 mm)	15.95"W (405.13 mm)	48.6lbs (22.04kg)	32 gal

STOCK COLORS



Grey-Silver

LID & OPENING SPECIFICATIONS

The chart below outlines the available Lid Opening Options for the Reflection™ container as well as the associated opening dimensions. Be sure to run a preliminary audit of the popular materials that are discarded where your Reflection™ containers will be placed. The Reflection™ container's openings come standard as full openings with the option for a flap attachment. Talk to your dedicated Busch Systems® sales representative for more information.

	Full Opening*
Outdoor Lid	
Opening Dimensions	6"L x 3"H

*Available with Flap Opening option

STOCK LID COLORS



Silver Sparkle

PRODUCT ACCESSORIES

To clearly indicate streams, consider the option of adding labels to your Reflection™ container. Choose from our available designs or create your own custom labels to suit your branding needs. Consider adding a hinged lid flap to help keep critters out. Talk to your dedicated Busch Systems® sales representative for more information.

OPTIONAL LABELS FROM OUR OCTO™ SERIES



OPTIONAL LABELS FROM OUR SPECTRUM® SERIES



NOTE: Because different computers, monitors, and printers render colors and textures differently, actual finishes may vary from those shown here.



Octo™ Series Label Option

OPTIONAL HINGED LID FLAP



Spectrum® Series Label Option

IDEAL BAG SIZE

Reflection™	32 Gallons
Ideal Bag Size (inches)	34.307 x 42.8

MATERIAL & CONSTRUCTION DETAILS

Not all recycling, waste or PPE receptacles are created equal. Our company policy is never to compromise on our workmanship or the quality material standards we've set. We only recommend and use quality first grade materials on our containers, and source these from OEM's at highly-competitive prices. Being a manufacturer that buys at high-quantities gives significant buying power with companies which in turn saves you money.

The design process, materials used, finishes and manufacturing standards all affect the final product. Every decision is vital to getting the most value for your investment. You deserve recycling, waste and PPE containers that meet your demands for quality and durability and will enhance your working environment for years to come.

Component	Material(s)	Construction
Bodies	Powder Coated Steel	<ul style="list-style-type: none"> Fire-resistant steel construction
Lids	Powder Coated Steel	<ul style="list-style-type: none"> Platinum powder coat finish on easy to lift lids
Liner	HDPE	<ul style="list-style-type: none"> Liners are made of durable black HDPE and contain up to 35% recycled content

ENVIRONMENTAL CONSIDERATIONS

- All Reflection™ receptacles use a low energy, resource efficient manufacturing and curing process
- All Reflection™ receptacle components disassemble at end of life and are fully recyclable
- Powder coat finishes are no or low VOC, depending on color
- Low maintenance and extremely long service life
- Manufactured in North America

Configurations	Post-Industrial Recycled Content	Post-Consumer Recycled Content	Total Recycled Content	3rd Party Certifications
Reflection™	Contact us	Contact us	Contact us	-

Busch Systems® is dedicated to environmental responsibility. We maintain an Environmental Management System and are continually working to improve our impact through efficiency, material selection, vendor education, employee involvement, and an unwavering commitment to being a B-Corporation®. If you would like additional information on our product development process or if you don't see the information you need for your project on this page, please contact our Sustainability Team at sustainability@buschsystems.com.

LEAD TIME

Our standard lead times on the Reflection™ are 4-6 weeks. Larger orders may require 6-8 weeks to complete. Please contact us to discuss your specific timing requirements.

PRICING AND ORDERING

Please contact us at **800.565.9931** or **sales@buschsystems.com**. At Busch Systems®, we design, manufacture and sell our products directly to you. Our sales team is available to assist you with questions about our products, requests for quotes, and orders. Vertical Managers are located across North America to assist with the front-end specification and quoting process, and our in-house Project Sales Coordinators follow your project through from the time you place an order to shipment.

TO ORDER PLEASE SPECIFY

Quantity and component colors. Talk to your dedicated Busch Systems® sales representative for more information. If you do not have a dedicated Sales Representative please contact us via our website at **buschsystems.com/contact-us/**

INSTALLATION

Busch Systems® Reflection™ containers are hassle-free when it comes to installation. Each container comes fully-assembled and individually boxed using high-density cardboard with high-recycled content to ensure safe and environmentally friendly transport.

To install your Reflection™ containers:

1. Unbox unit
2. Insert the recycling/waste bag into the liner and wrap the top edge of the bag around the liner
3. Add labelling to surface of bin as purchased
4. Place unit at desired location

CARE & MAINTENANCE

Busch Systems® powder coated steel products are finished with a polyester powder coat paint that is intended to help keep your recycling and waste containers protected and attractive looking for as long as possible in their environment. Their appearance and lifespan will be greatly affected by their care. Powder coated finishes can be treated like most other paints and benefit from regular cleaning.

The frequency of cleaning required depends on the environment in which the containers are used. Outdoor containers will be subject to different environmental conditions than indoor units, i.e. sun, rain, wind, pollution, winter temperatures, and salt/sea air.

To avoid the accumulation of dirt and grime on your Busch Systems® products, and help prevent corrosion, we recommend that a mild detergent be used (not an abrasive), such as a pH-neutral liquid (hand dishwashing or hand car washing soaps, for example) diluted in warm water. Rinse well with clean water. Any dirt adhering to the powder coating should be removed. In order to remove deposits such as salt or dust, use a soft brush (non-abrasive). If this is not sufficient to remove stubborn soiling, the following products have been tested for use:

- Ajax Cream
- Ajax Liquid (in water)
- Liquid Gumption
- Cutting compound ('T. Cut')
- Flash (in water)

If solvents are absolutely needed to remove marks, a soft cloth dampened with white spirit may be used.

THINGS TO AVOID

- Solvents such as acetone, contact cleaners, thinners or Methyl Ethyl Ketone (MEK). These solvents are very damaging to the powder coat and will soften and/or dissolve the surface of the coating, diminishing its shine and durability or removing the finish altogether.
- Cleaning water that contains sulfur, iron oxide, chlorine, fluoride
- Waxes that contain abrasives
- Abrasive cleaning tools or brushes
- Contact with electrical current and dissimilar metals

Contact Us Today for a Quote on Your Reflection™ Container!



BUSCH®
SYSTEMS

Certified



Corporation