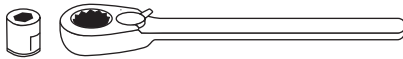


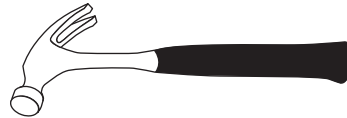
TOOLS REQUIRED:

HARDWARE PROVIDED FOR ASSEMBLY:

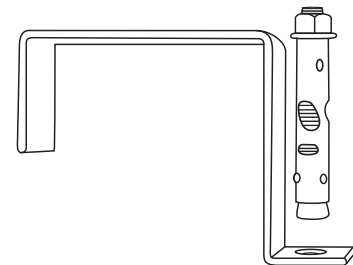
*Please Note: Extras of each hardware piece are included.



Ratchet with 9/16" socket

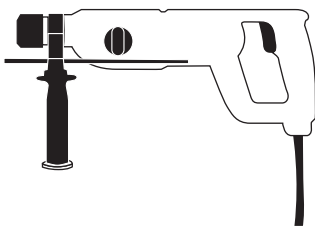


Hammer



x 4

Hard Ground Brackets & 3" Lag Bolts



Hammer Drill



1/2" Masonry Drill Bit



FIG. 1

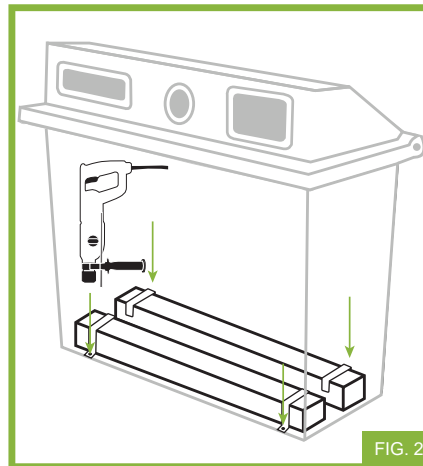


FIG. 2

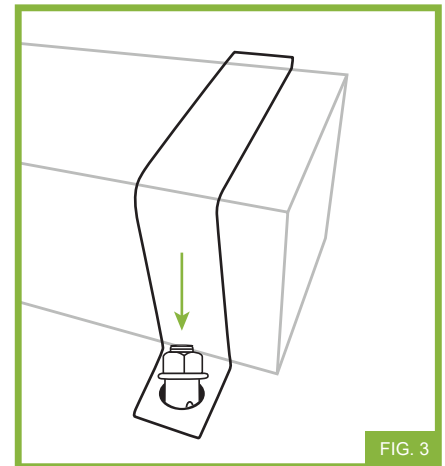


FIG. 3

STEP-BY-STEP INSTRUCTIONS

- 1 Place unit in it's location. (FIG. 1)
- 2 Drill through guide holes in the bottom of the container with 1/2" masonry drill bit. (FIG. 2)
- 3 Place large bolt in hole and hammer until flush with lumber. (FIG. 3)
- 4 Tighten with a 9/16" socket and repeat step 2 for the rest of the holes. (FIG. 2 & 3)